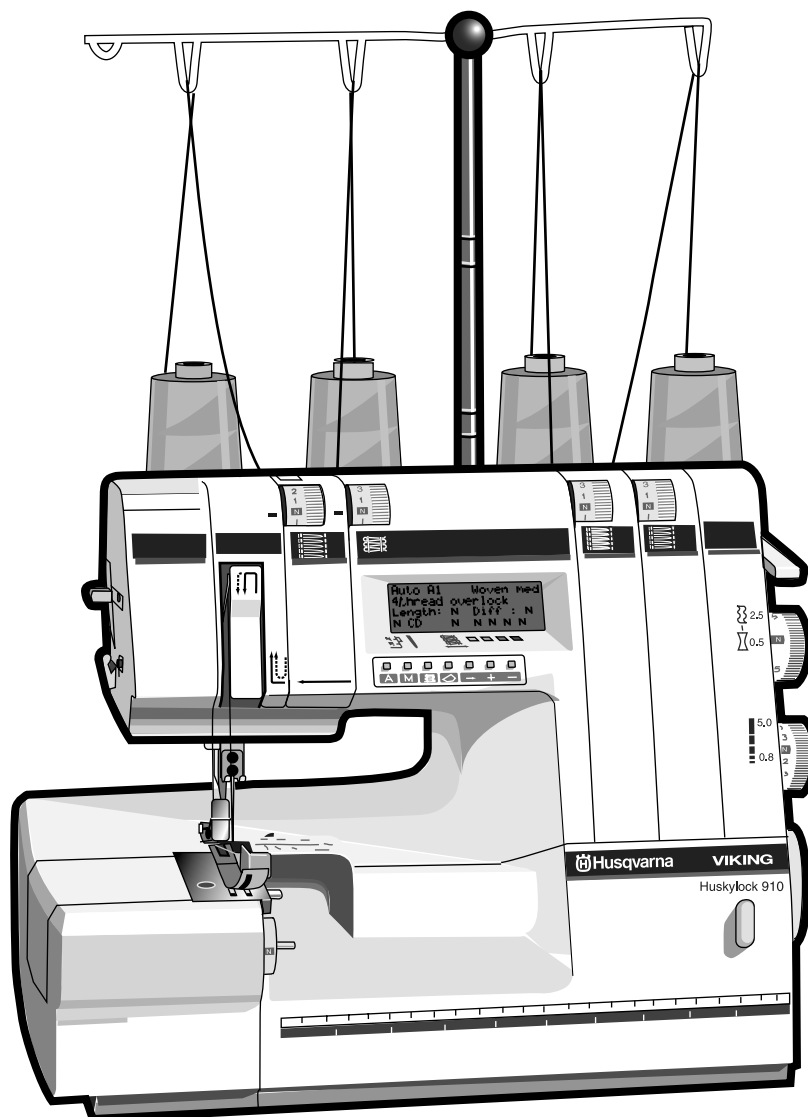
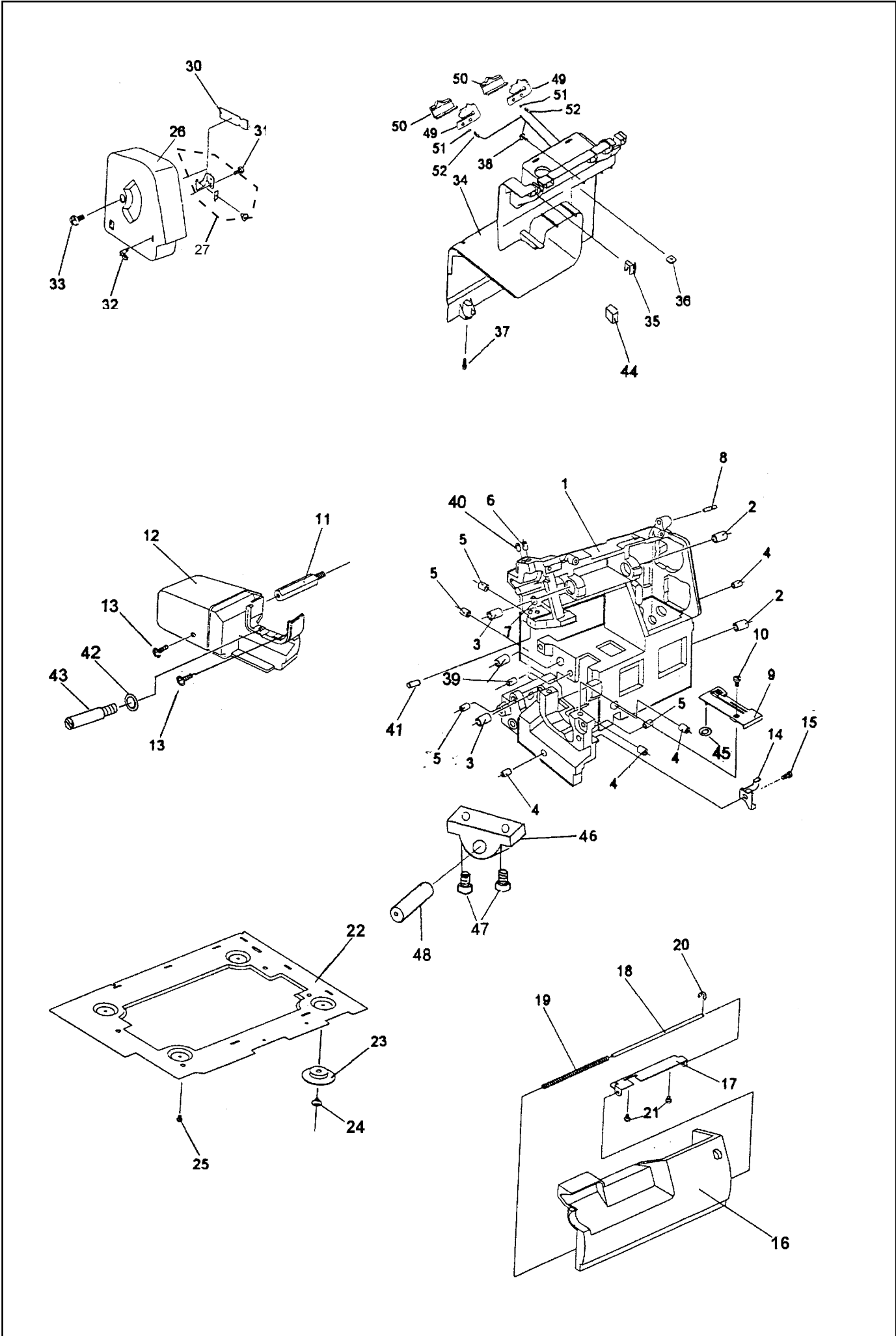


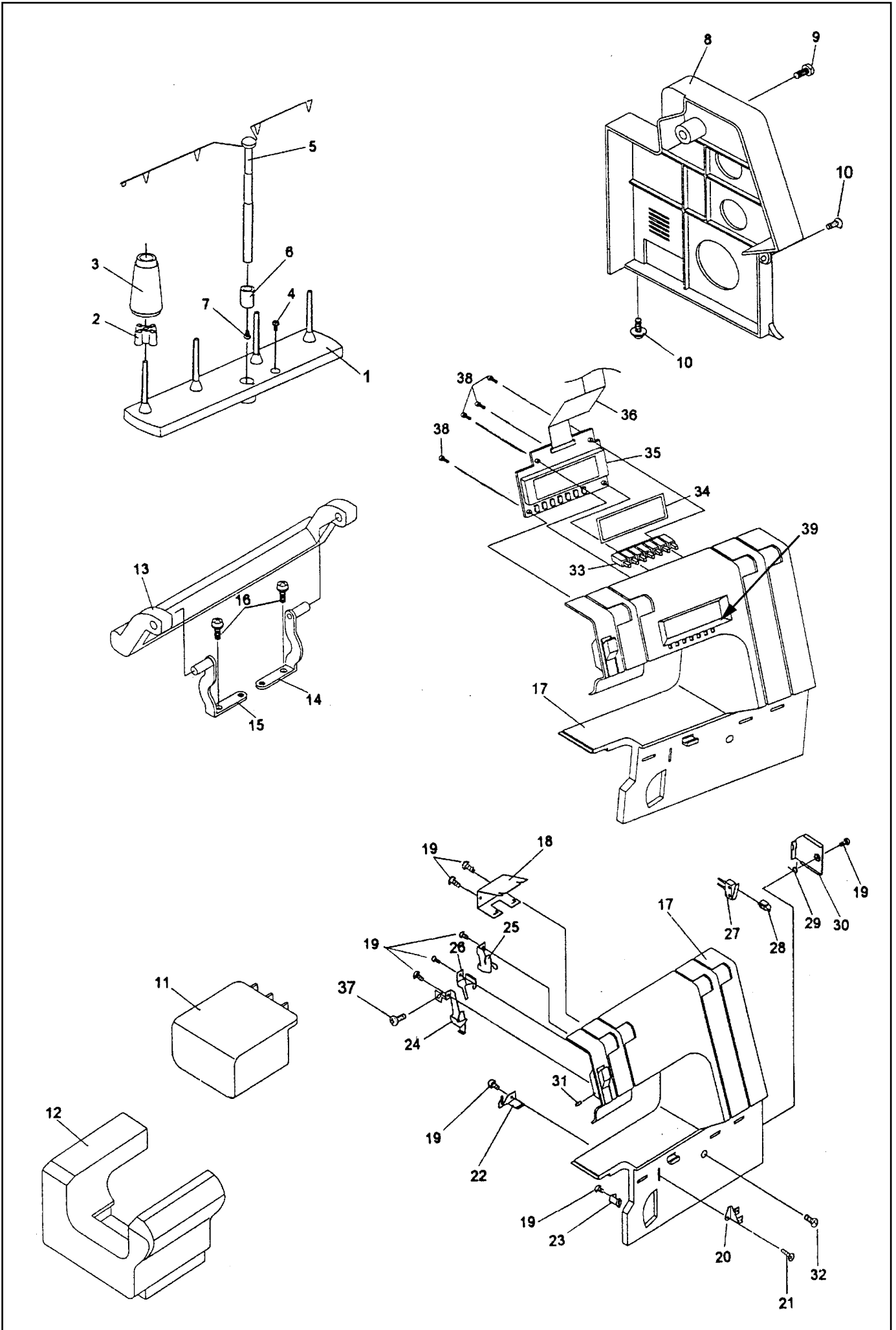
Parts list



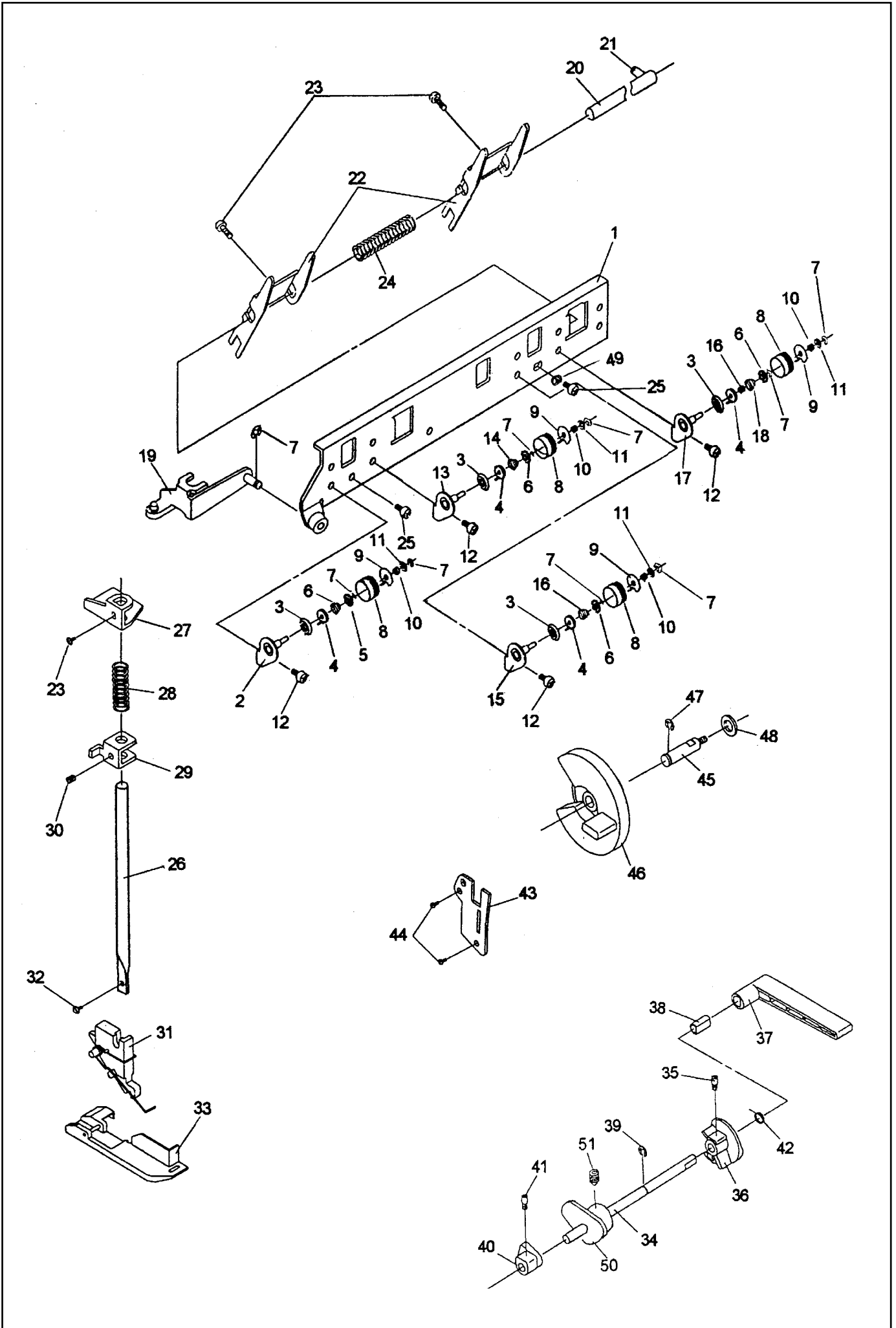
Huskylock 905 - 910



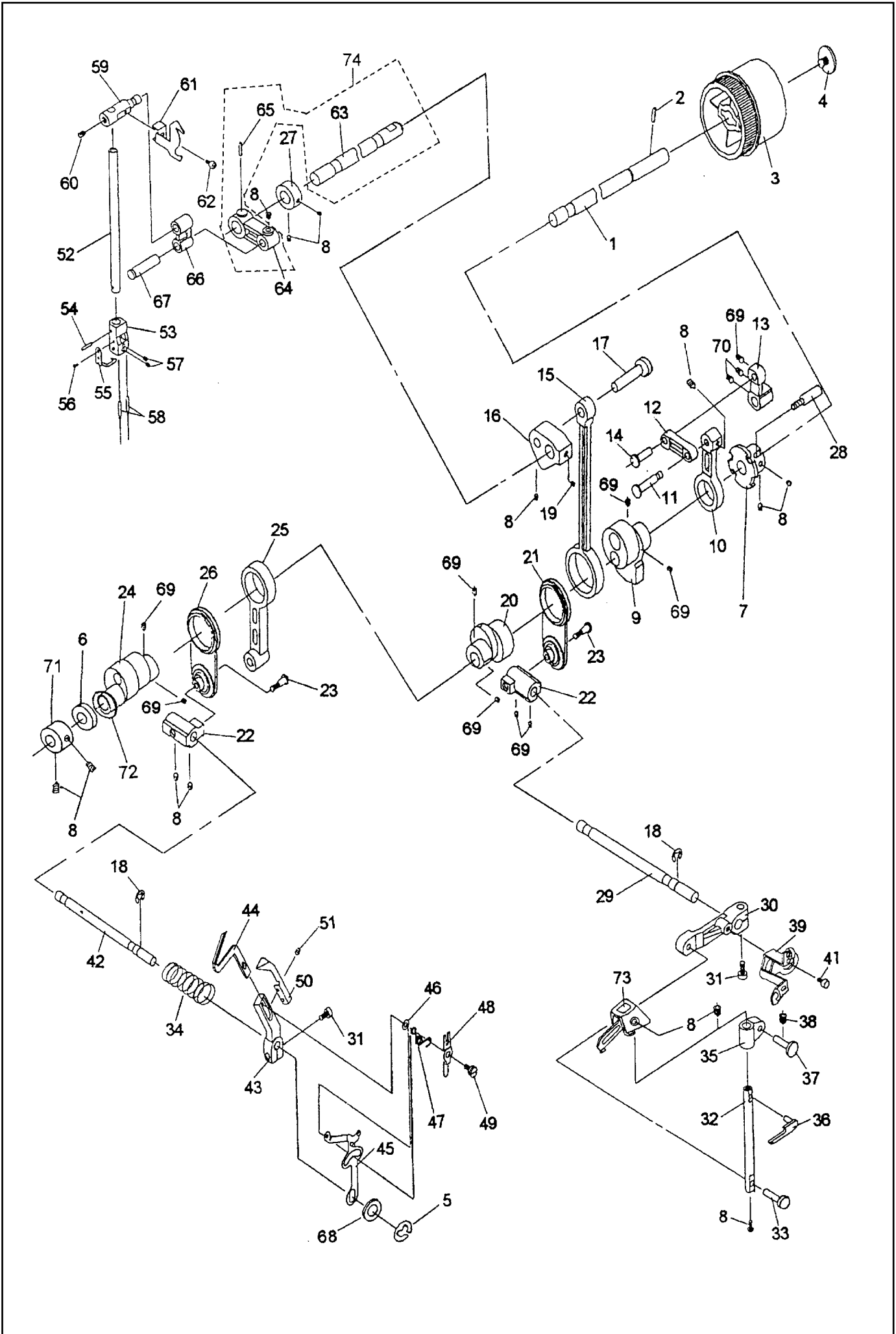
POS	REF. NO.	PART NAME
1		Arm
2	2141003-542	Upper shaft bushing -R -
	2141003-542	Lower shaft bushing -R -
3	2141003-543	Upper shaft bushing -F -
	2141003-543	Lower shaft bushing -F -
4	2141004-221	Cutter link bushing (1)
5	2141004-222	Cutter link bushing (2)
6	2141002-271	Needle bar bushing (1)
7	2141002-272	Needle bar bushing (2)
8	50405	Spring pin
9	2141001-501	Needle plate
10	10811	Set screw for needle plate
11	2141001-145	Side cover assembly foot
12	2141001-162-651	Side cover
13	11924	Set screw for side cover
14	2141002-475	Stopper
15	10941	Set screw for stopper
16	416 10 56-01	Front cover - Husqvarna Viking 905
	416 10 57-01	Front cover - Husqvarna Viking 910
17	2141001-178	Front cover hinge
18	2141001-125	Front cover shaft
19	2141001-126	Front cover spring
20	40110	E-Ring
21	11907	Set screw for front cover hinge
22	2141001-161	Base
23	2141001-153	Swallow rubber foot
24	2141001-122	Set pin for swallow rubber foot
25	10946	Set screw
26	416 10 58-01	Face cover - 905
	416 10 59-01	Face cover - 910
27	416 10 67-01	Thread cutter plate
30	2141001-323	Face cover seat
31	11203	Set screw
32	2141002-673	Assistant thread guide
33	11913	Set screw for face cover
34	416 10 43-01	Rear cover
35	2141002-111	Thread guide -A-
36	30301	Square nut
37	11203	Tapping screw
38	10986	Set screw for rear cover
39	2141004-455	Differential feed shaft bushing
40	2141002-585	Presser bar bushing (1)
41	2141002-586	Presser bar bushing (2)
42	60159	Washer
43	2141001-185	Assistant plate shaft
44	1250004-153	Felter - Old version
	2141002-118	Felter - New version
45	90301	Washer
46	2150003-549	Lower shaft bushing support
47	9701516-507	Hexagon Screw
48	2150003-553	Lower shaft bushing
49	2141012-116	Thread guide (F)
50	2141002-149	Thread Guide (F) holder
51	90206	Position dedided ball
52	1650004-424	Position decided spring



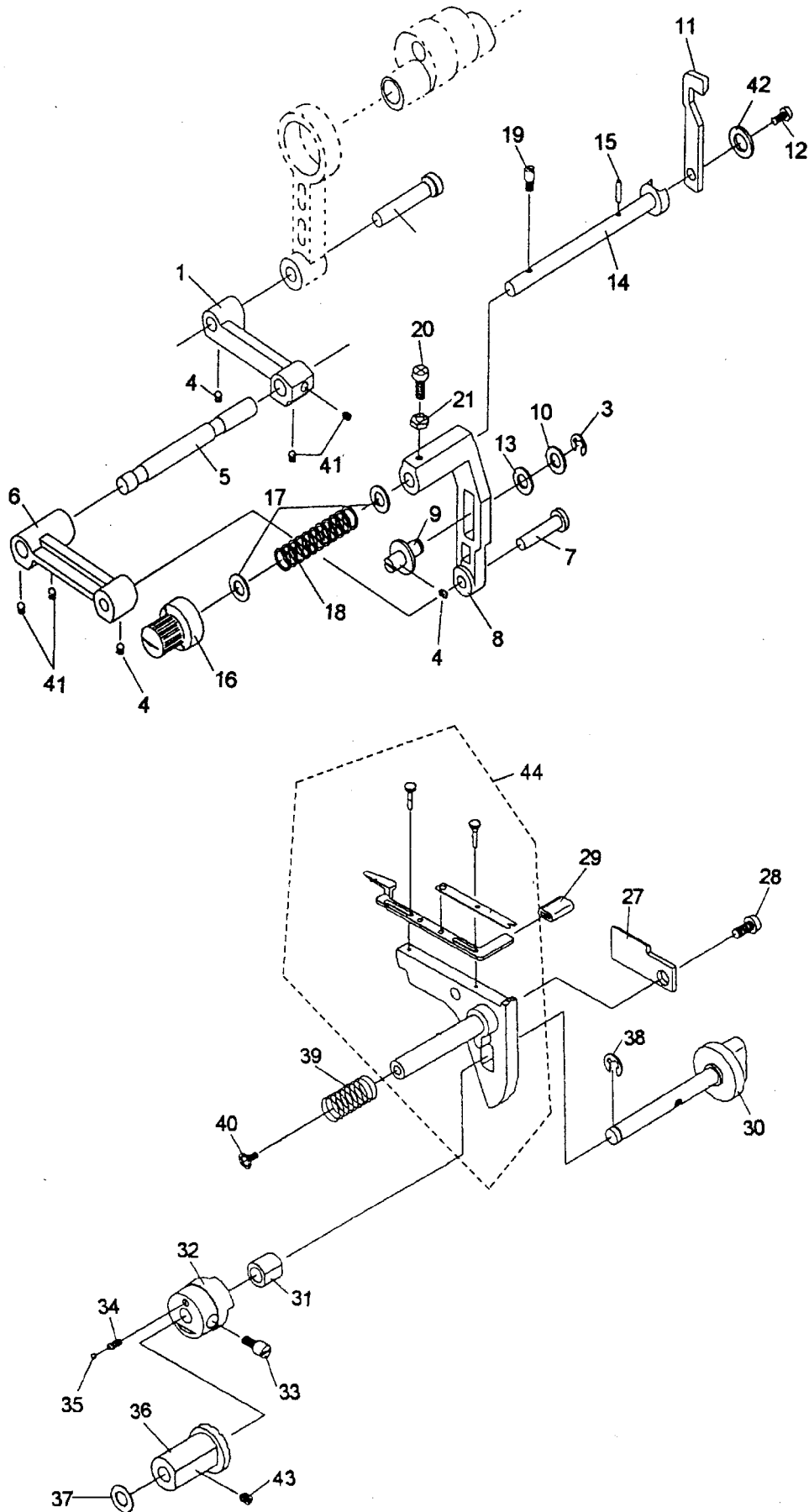
POS	REF. NO.	PART NAME
1	2141002-180-651	Spool pin stand
2	1250002-197	Thread holder
3	416 11 07-01	Spool - yellow
	416 11 08-01	Spool - red
	416 11 09-01	Spool - green
	416 11 10-01	Spool - blue
4	11207	Set screw for spool pin stand
5	2141002-190-651	Telescopic thread stand
6	2141002-196-651	Telescopic thread stand collar
7	11054	Set screw
8	416 10 61-01	Motor Cover
9	11936	Set screw for motor cover
10	11203	Set screw for motor cover
11	2141001-163-651	Free-Arm cover
12	2141001-160-651	Cover for flat bed
13	2141001-373-651	Handle
14	2141001-376	Handle hinge - R -
15	2141001-377	Handle hinge - L -
16	10955	Set screw for handle hinge
17	416 10 62-01	Front panel - 905
	2143021-174-651	Front panel - 910
18	2141012-112	Thread guide (B)
19	10985	Tapping screw
20	2141012-113	Thread guide (C)
21	10408	Tapping screw
22	2141012-284	Upper looper thread guide
23	2141012-285	Lower looper thread guide
24	2141002-281	Take-up lever thread guide -A-
25	2141002-282	Take-up lever thread guide -B-
26	2141002-280	Take-up lever thread guide -C-
27	2141008-180	Front cover switch Ass'y
28	2141008-883-651	Switch button
29	2141008-882	Switch button spring
30	2141008-827	Switch cover
31	50302	Parallel pin
32	10981	Set screw
33	416 10 47-01	LCD operating button
34	2143008-216	LCD protecting plate (910)
35	2150008-710	LCD indicating plate (910)
36	2143008-213	Printing electric board (910)
37	11934	Screw
38	11203	Tapping screw- 910
39	416 10 50-01	LCD Operating Sticker (910)



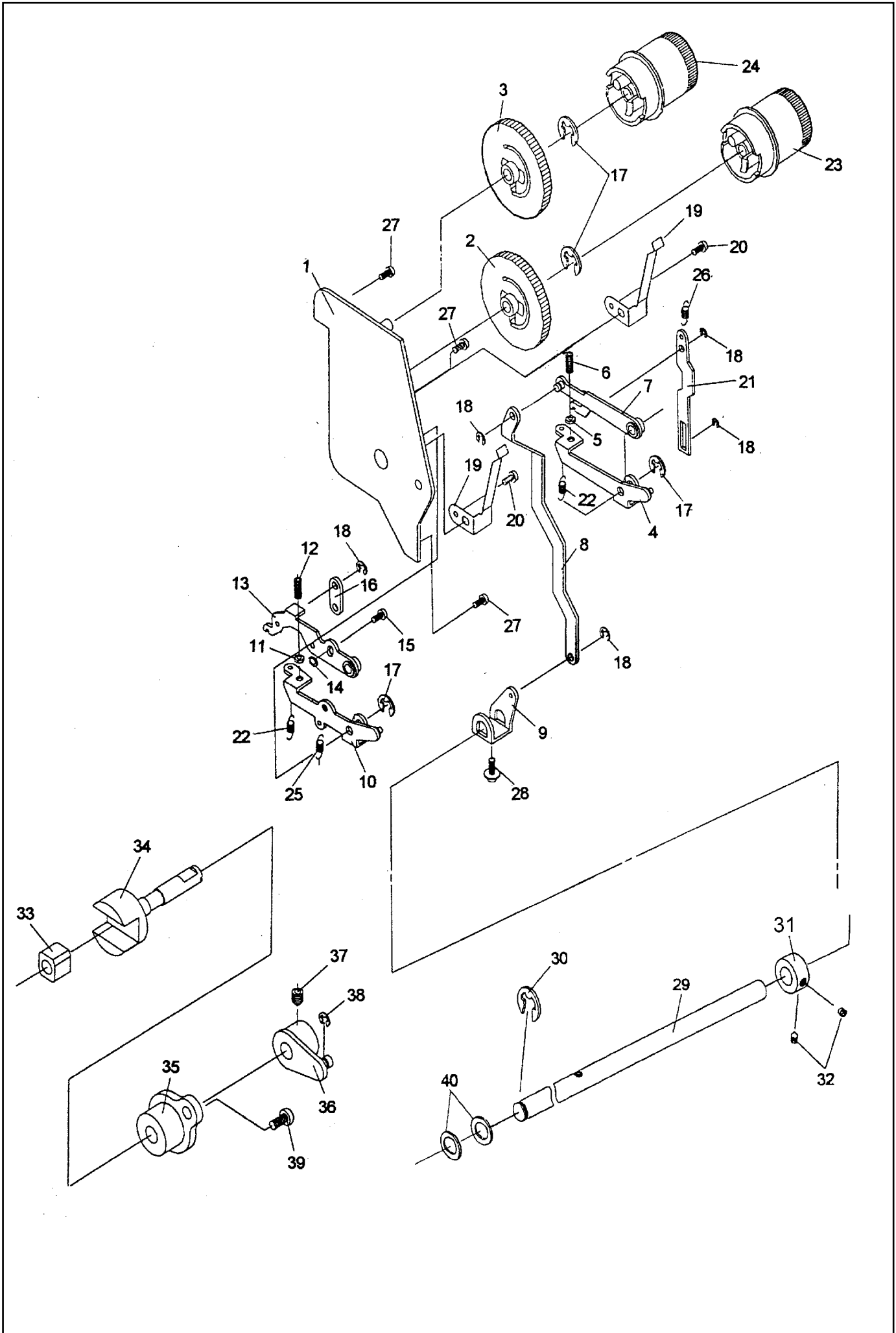
POS	REF. NO.	PART NAME
1	2141002-220	Tension holding plate
2	2141002-102	Tension bracket
3	2141002-131	Tension Disc -R-
4	2141002-156	Tension Disc bracket
5	1257002-138	Tension spring -A-
6	2141002-126	Tension nut
7	40110	E Ring
8	2141012-153-651	Tension dial (1) - Yellow
	2141022-153-651	Tension dial (2) - Red
	2141032-153-651	Tension dial (3) - Green
	2141042-153-651	Tension dial (4) - Blue
9	2141002-224	Tension Disc regulating plate
10	1650002-158	Tension Dial spring
11	60159	Washer
12	11907	Set screw
13	2141012-102	Tension bracket. NOTE! Only for OLD version
	2141002-102	Tension bracket NOTE New version
14	1257002-138	Tension spring -A-
15	2141022-102	Tension bracket. NOTE! Only for OLD version
	2141002-102	Tension bracket NOTE New version
16	1257012-138	Tension spring -B-
17	2141032-102	Tension bracket. NOTE! Only for OLD version
	2141002-102	Tension bracket NOTE New version
18	1257022-138	Tension spring -C-
19	2141002-580	Pressure adjusting plate
20	2141002-242	Thread release shaft
21	2141002-243	Drive pin
22	2141002-396	Thread release plate -B-
23	11934	Set screw
24	1840012-138	Thread release stud spring
25	10964	Set screw
26	2141002-361	Presser bar
27	2141002-237	Driver plate
28	2141002-362	Presser bar spring
29	2141002-376	Presser bar bracket
30	10125	Set screw for bracket
31	2141002-520	Presser foot holder
32	11921	Set screw for presser foot holder
33	2141002-510	Presserfoot
34	2141002-542	Presser foot lifter shaft
35	1650004-696	Set screw for thread release cam
36	2141002-241	Thread release cam
37	2141002-366-651	Presser foot lifter lever
38	50421	Spring ring
39	40106	E Ring
40	2141002-541	Presser foot lifter cam
41	1650004-696	Set screw for presser bar lifter cam
42	2141002-365	Presser foot lifter spring
43	2141002-378	Presser bar bracket stopper
44	10941	Set screw
45	2141002-584	Pressure adjusting stud
46	2141002-377-651	Pressure adjusting dial
47	40106	E Ring
48	60113	Washer
49	60181	Washer
50	2141002-543	Presser foot lifter lever stopper
51	10124	Set Screw



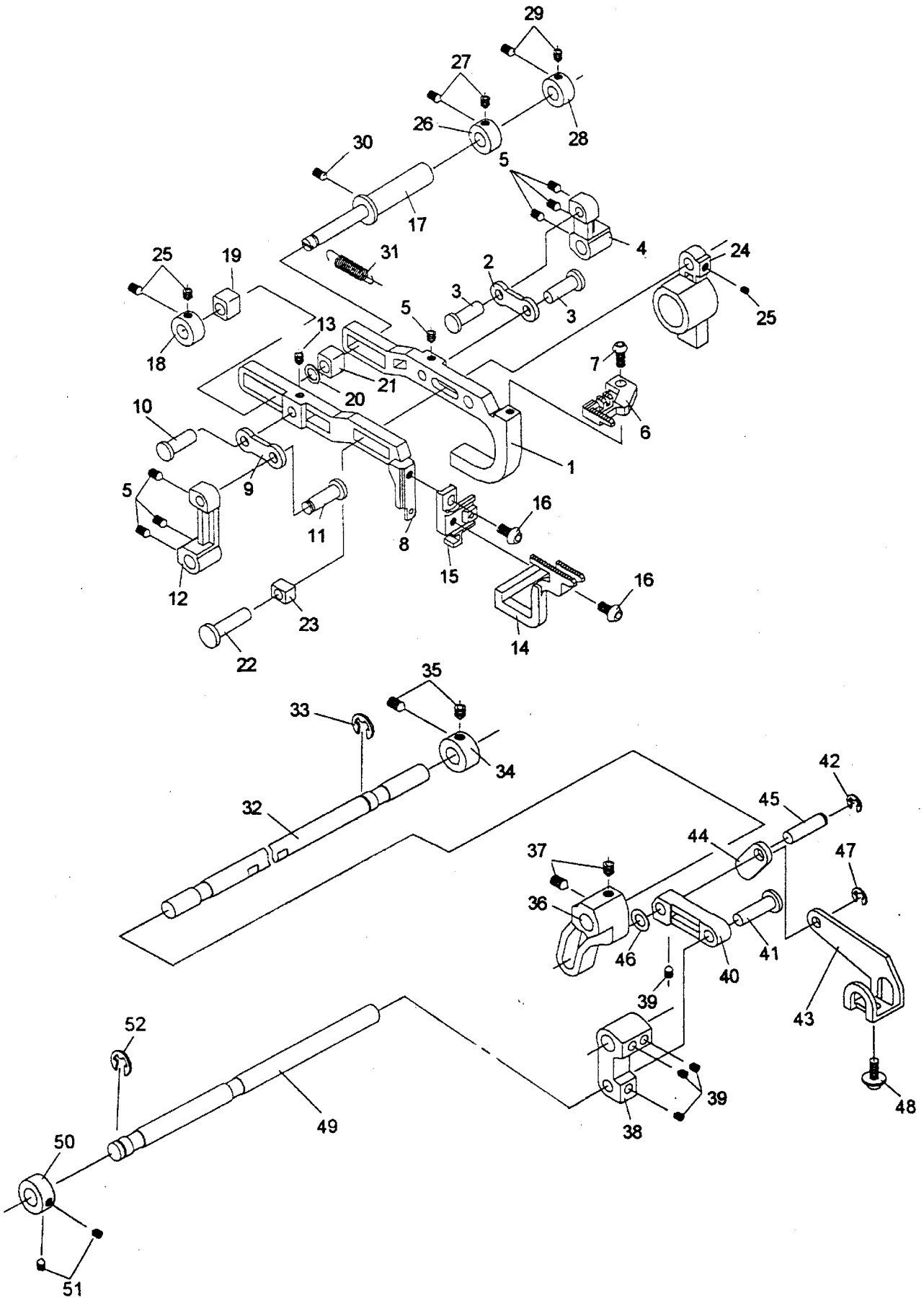
POS	REF. NO.	PART NAME	POS	REF. NO.	PART NAME
1	2141003-541	Lower shaft	49	11052	Set screw for guide plate
2	50415	Spring pin	50	2141002-508	Needle guide plate
3	2141003-151-651	Handwheel	51	20308	Net screw for needle guide plate
4	10936	Set screw for handwheel	52	2141002-311	Needle bar
5	40106	E Ring	53	2141002-343	Needle clamp
6	60196	Flat washer	54	50433	Spring pin
7	2141003-551	Lower shaft collar	55	2141002-341	Needle bar thread guide
8	10124	Set screw for lower shaft collar	56	10601	Set screw for thread guide
9	2141003-119	Driver cam - A -	57	10141	Set screw for needle
10	2141004-241	Feed link	58	411 31 04-01	Needle 5 x # 80
11	2141004-247	Feed link pin	59	2141002-322	Needle bar crank
12	2141004-193	Feed inter link	60	10132	Set screw for needle bar crank
13	2141004-631	Feed lever (1)	61	2141002-411	Take-up lever
14	2141004-647	Feed differential pin	62	10965	Set screw for take-up lever
15	2141003-331	Upper shaft driver link	63	2141003-111	Uppershaft
16	2141003-117	Balance crank	64	2141002-314	Needle bar driver lever
17	2141003-116	Upper shaft driver link pin	65	50406	Spring pin
18	40106	E Ring	66	2141002-321	Needle bar driver link
19	10126	Set screw for balance crank	67	1250002-315	Needle bar driver link pin
20	2141003-431	Driver cam - B -	68	60145	Washer
21	2141003-460	Looper link	69	10125	Set screw
22	2141003-333	Looper link lever	70	10131	Set screw
23	11051	Set screw for looper link	71	2141003-115	Upper shaft collar
24	2141003-432	Driver cam - C -	72	60513	Washer
25	2141004-232	Cutter driver link	73	2141003-405	2-thread converter ass'y
26	2141003-460	Looperlink	74	2141003-101	Upper shaft ass'y
27	2141003-115	Upper shaft collar			
28	1650004-696	Cam screw			
29	2141003-415	Upper looper shaft			
30	2141003-417	Upper looper driver lever			
31	20204	Set screw for upper looper driver lever			
32	2141003-412	Upper looper stand shaft			
33	2141003-418	Upper looper stand pin			
34	2141003-443	Lower looper adjusting spring			
35	2141003-426	Upper looper fulcrum			
36	2141003-433	Upper looper			
37	2141003-436	Upper looper fulcrum shaft			
38	10132	Set screw			
39	416 10 52-01	Upper looper take-up lever			
40					
41	10941	Set screw for take-up lever			
42	2141003-425	Lower looper shaft			
43	2141003-424	Lower looper stand			
44	2141003-441	Lower looper			
45	2141002-590	Lower looper thread guide plate- OLD Light blue			
	2141012-590	Lower looper thread guide plate- NEW dark blue			
46	60504	Washer			
47	2141002-594	Thread guide plate spring			
48	2141002-593	Thread guide plate change lever			



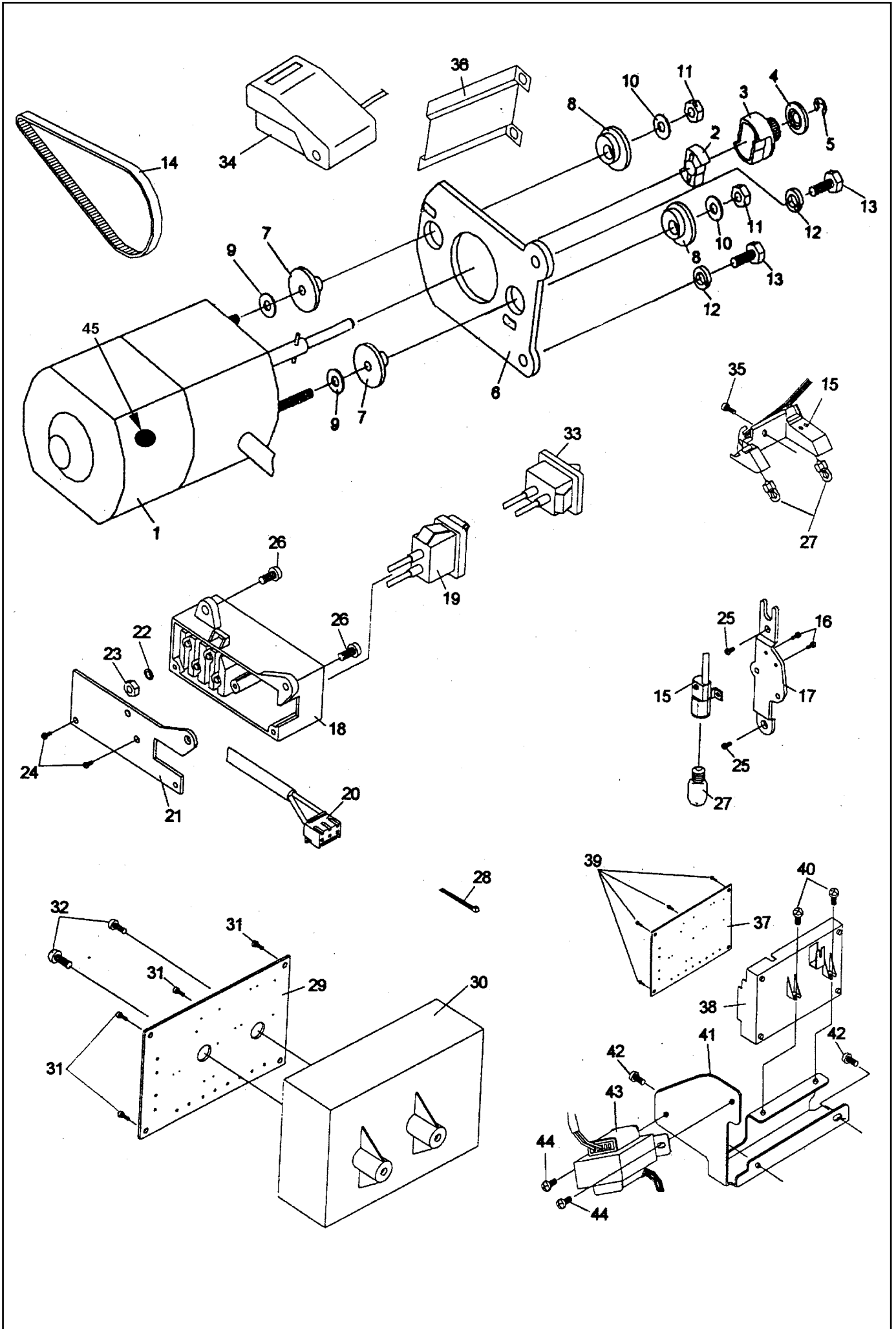
POS	REF. NO.	PART NAME
1	2141004-215	Cutter link (1)
2	2141004-217	Cutter link (1) pin
3	40116	E Ring
4	10124	Set screw
5	2141004-219	Cutter link shaft
6	2141004-216	Cutter link (2)
7	2141004-218	Cutter link (2) pin
8	2141004-233	Upper cutter lever
9	2141004-224	Upper cutter lever pin
10	60514	Washer
11	2141004-229	Upper cutter
12	10941	Set screw for upper cutter
13	60107	Washer NOTE! Only OLD version
14	2141004-227	Cutter stand shaft
15		
16	2141004-225	Cutter rotating dial
17	60127	Washer
18	2141004-226	Cutter pressure spring
19	1650004-696	Set screw for feed cam
20	10972	Set screw
21	30410	Adjustable nut
27	2141004-237	Lower cutter - Old Version
	2150004-237	Lower cutter - New Version
28	10945	Set screw for lower cutter
29	1650001-565-651	Stitch finger knob
30	416 10 54-01	Cutting-width adjusting dial
31	2141004-423	Dial shaft bushing
32	2141004-431	Cutting-width adjusting cam
33	1650004-696	Set screw for adjusting cam
34	1650004-424	Position decided spring
35	90206	Position decided ball
36	2141004-422	Cutting-width adjusting dial bushing
37	60103	Washer
38	40104	E Ring
39	2141004-234	Lower cutter spring
40	11934	Washer
41	10131	Set screw
42	60138	Washer
43	10146	Set Screw
44	2150004-250	Lower cutter stand ass'y



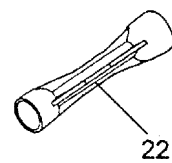
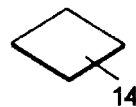
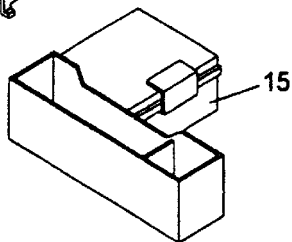
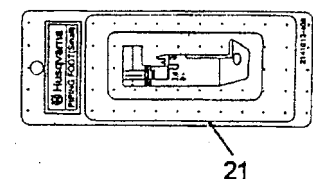
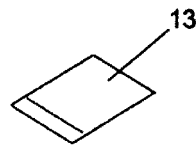
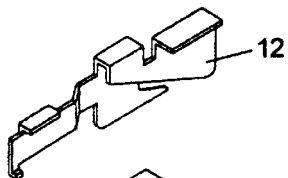
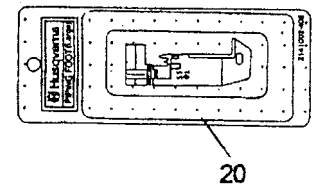
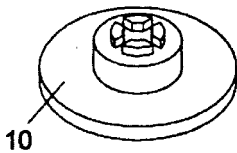
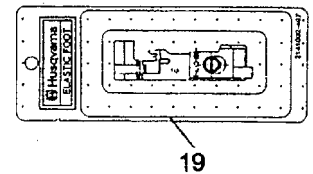
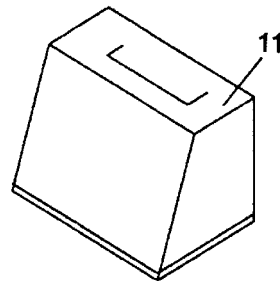
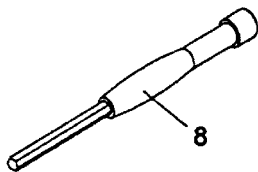
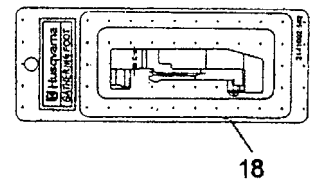
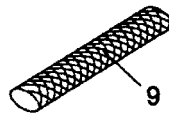
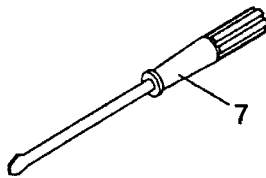
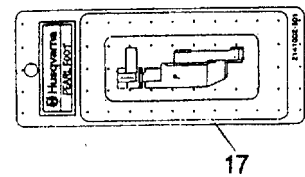
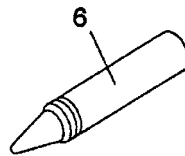
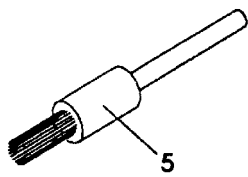
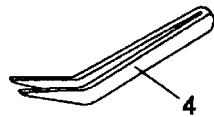
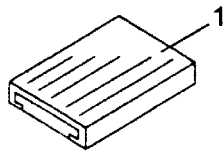
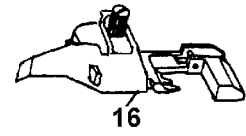
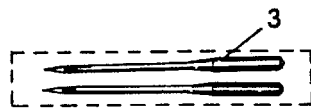
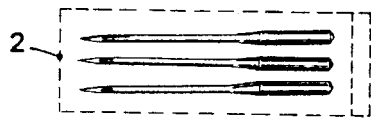
POS	REF. NO.	PART NAME
1	2141004-450	Dial assembly plate
2	2141004-285	Feed cam
3	2141004-692	Differential feed cam
4	2141004-470	Differential feed adjusting rod (2)
5	30403	Adjustable nut
6	10144	Adjustable screw
7	2141004-460	Differential feed adjusting rod (1)
8	2141004-646	Differential feed inter rod
9	2141004-608	Differential feed adjusting lever
10	2141004-490	Feed adjusting rod (2)
11	30403	Adjustable nut
12	10144	Adjustable screw
13	2141004-480	Feed adjusting rod (1)
14	60141	Washer
15	10941	Set screw
16	2141004-163	Feed inter plate
17	40104	E-Ring
18	40110	E-Ring
19	2141004-286	Position decided spring
20	10941	Set screw
21	2141004-674	Feed adjusting refrain link
22	2141004-483	Feed adjusting spring
23	416 10 70-01	Stitch length dial
24	416 10 71-01	Differential feed adjusting dial
25	2141004-482	Feed adjusting rod spring
26	2141004-679	Feed refrain rod spring
27	10957	Set screw
28	10942	Set screw
29	2141004-686	Differential feed adjusting shaft
30	40103	E-Ring
31	2141004-668	Differential feed shaft collar
32	10124	Set screw
33	2141004-122	Slide block
34	2141004-111	Feed regulator
35	2141004-165	Feed regulator bushing
36	2141004-302	Feed adjusting lever
37	10124	Set screw
38	40110	E-Ring
39	10976	Set screw
40	60124	Washer



POS	REF. NO.	PART NAME
1	2141004-621	Feed plate
2	2141004-167	Feed rod
3	2141004-637	Feed plate pin (1)
4	2141004-631	Feed lever (1)
5	10124	Set screw
6	2141004-611	Feed dog
7	20210	Set screw for feed dog
8	2141004-622	Differential feed plate
9	2141004-167	Feed rod
10	2141004-637	Feed plate pin (1)
11	2141014-637	Feed plate pin (2)
12	2141004-632	Feed lever (2)
13	10124	Set screw
14	2141004-612	Differential feed dog - Old Version
	2151004-612	Differential feed dog - New Version
15	2141004-628	Feed adjusting plate
16	10961	Set screw
17	2141004-685	Differential feed plate shaft
18	2141004-656	Differential feed shaft collar (1)
19	2141004-626	Feed lifting block (1)
20	60507	Washer
21	2141004-629	Feed lifting block (3)
22	2141004-711	Feed lifter shaft
23	2141004-627	Feed lifting block (2)
24	2141004-242	Feed lifting link
25	10124	Set screw
26	2141004-657	Differential feed shaft collar (2)
27	10135	Set screw
28	2141004-657	Differential feed shaft collar (2) - NOTE! Only Old Version
29	10135	Set screw - NOTE! Only Old Version
30	10132	Set screw
31	2141004-664	Differential feed plate spring
32	2141004-263	Feed shaft
33	40106	E-Ring
34	2141004-635	Feed shaft collar - NOTE! Only for Old Version
	1250003-414	Feed shaft collar - NOTE! Only for New Version
35	10135	Set Screw
36	2141004-641	Differential feed lever
37	10131	Set screw
38	2141004-631	Feed lever (1)
39	10124	Set screw
40	2141004-193	Feed inter link
41	2141004-647	Differential feed rod pin
42	40110	E-Ring
43	2141004-645	Differential feed adjusting lever
44	2141004-603	Differential feed inter lever
45	2141004-642	Differential feed lever pin
46	60167	Nylon washer
47	40104	E-Ring
48	10942	Set screw
49	2141004-687	Differential feed shaft
50	2141004-635	Feed shaft collar-NOTE! Only for Old Version
	1250003-414	Feed shaft collar-NOTE! Only for New Version
51	10135	Set screw
52	40106	E-Ring



POS	REF. NO.	PART NAME	
1	2141008-835	Motor (120V)	
	2141018-835	Motor (230V)	
2	1650008-842	Cushion rubber	
3	2141008-844	Motor pulley	
4	2141008-845	Motor pulley stopper	
5	40110	E-Ring	
6	2141008-824	Motor bracket	
7	150008-825	Insulating ring (inside) (120V)	
8	150008-832	Insulating ring (outside) (120V)	
9	60506	Washer (120V)	
10	60159	Washer (120V)	
11	30111	Nut (120V)	
12	60205	Spring washer	
13	20107	Screw	
14	2141008-843	Timing belt	
15	2141008-110	Lighting set (120V) - 905	
	2141018-110	Lighting set (230V) - 905	
	2143008-110	Lighting set (120V,230V) - 910	
16	10992	Screw	
17	2141008-171	Lighting bracket	
18	2141008-838	Terminal box - NOTE! Only for Old Version	
	2141018-838	Terminal box - NOTE! Only for New Version	
19	2141008-870	Switch	
20	2141008-135	Repeating connector (1)	
	2143008-136	Repeating connector (2) (120V, 230V)	
21	2141008-846	Terminal box holder plate	
22	60302	Washer	
23	30112	Nut	
24	10986	Tapping screw	
25	10955	Screw	
26	10964	Screw	
27	150038-116	Light bulb (120V) - 905	
	150048-116	Light bulb (230V) - 905	
	2143008-116	Light bulb (120V 230V) - 910	
28	412 61 97-01	Cord Binder	
29	2141008-201	Electric board (120V) - 905	
	2141018-201	Electric board (230V) - 905	
	2143008-201	Electric board (120V) - 910	
	2143018-201	Electric board (230V) - 910	
30	2141008-811	Electric board case	
31	11203	Screw	
32	10955	Screw	
33	2141008-960	Sewing speed selector	
34	1250308-834	Foot control (120 V US) -2000	NOTE! Only for Old Terminal box
	1921028-834	Foot control (230 V) -2000	NOTE! Only for Old Terminal box
	2141038-834	Foot control (120 V US) 2000-	NOTE! Only for NEW Terminal box
	2141058-834	Foot control (230 V) 2000-	NOTE! Only for NEW Terminal box
	2141048-834	Foot control (240 V AUS) 2000-	NOTE! Only for NEW Terminal box
	412675901	Foot control (230 V UK) 2000-	NOTE! Only for NEW Terminal box
35	10942	Washer (230 V)	- 910
36	2141008-271	Insolated paper (230 V)	
37	2143008-202	Control electric board	- 910
38	2143008-285	Control electric board case	- 910
39	11203	Set screw	- 910
40	10988	Set screw	- 910
41	2143008-286	Control electric board bracket	- 910
42	10978	Set screw	- 910
43	2143008-381	Transformer (120 V)	- 910
	2143018-381	Transformer (230 V)	- 910
44	10946	Set screw	- 910
45	416 10 66-01	Carbon Brush (230 Volt)	



POS	REF. NO.	PART NAME
2	411 31 04-01	Needle 5 x # 80
	411 31 05-01	Needle 10 x # 80
3	411 31 06-01	Needle 5 x # 90
	411 31 07-01	Needle 10 x # 90
4	2141009-191	Tweezers
5	401 55 55-01	Brush
6	1650009-842	Oiler
7	412 38 15-01	Driver - L -
8	2141009-211	Hexagon driver
9	1250009-192	Net
10	1350002-198	Spool adapter
11	2141009-112	Vinyl cover
12	1651003-435	2-Thread overlock convertor-Note! ONLY for OLD version
13	150012-483	Plastic bag
14	2141009-844	Needle holder
15	2141001-350	Accessory box
16	2141002-730	Multipurpose foot

Accessories

17	2141002-501	Pearl foot
18	2141002-502	Gathering foot
19	2141002-407	Elastic foot
20	2141002-408	Piping foot - large
21	2141012-408	Piping foot - small
22	412 57 01-01	Light bulb change instrument
	2141001-154	Waste tray
	412 53 85-01	Instruction book - Swe
	412 53 85-06	Instruction book - Dan
	412 53 85-11	Instruction book - Fin
	412 53 85-21	Instruction book - Nor
	412 53 85-26	Instruction book - Eng
	412 53 85-31	Instruction book - Fra
	412 53 85-36	Instruction book - Dutch
	412 53 85-41	Instruction book - Ita
	412 53 85-46	Instruction book - Spa
	412 53 85-51	Instruction book - Ger
	412 53 85-56	Instruction book - Russian